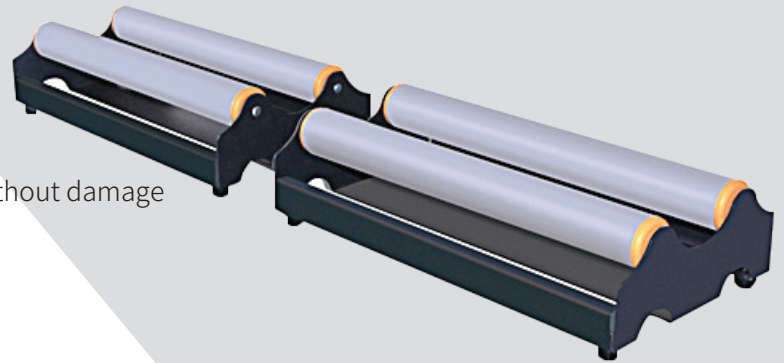


Roller Media Tray

- ★ Made by steel and aluminum for durability and easy to use
- ★ Support rolls of banner and flexible media
- ★ Hold your media on the right position
- ★ Smooth surface make sure the material passing through without damage



| Model | Product Size (mm) | Packing | Packing Size (mm) |
|-------|-------------------|---------------|-------------------|
| 40 | 400*210*105 | 1 pc / carton | 410*215*115 |
| 130 | 1350*200*105 | 1 pc / carton | 1400*230*155 |
| 170 | 1700*200*105 | 1 pc / carton | 1780*280*190 |

Film Stand



- ★ Available in 2" or 3" core
- ★ 2 arms, 8 rolls each arm, total 16 rolls, 5 wheels with stopper on each arm
- ★ Easy to assemble, free assortment
- ★ Storage material in rolls, great for organizing and space saving

| Model | Specification | Product Size (mm) | Packing Size (mm) |
|-------------|-------------------------|-------------------|-------------------|
| 2"/16 rolls | 16 rolls holder with 2" | 650*500*270 | 660*360*310 |
| 3"/16 rolls | 16 rolls holder with 3" | 650*500*270 | 660*360*310 |

Paper Cutter

- ★ Ergonomic and safe design
- ★ Durable tungsten steel blades
- ★ 4 pcs exchangeable blades included
- ★ Suitable for vinyl and paper



| Max Cutting Thickness | Packing Dimension (mm) | Weight (kg) |
|-----------------------|------------------------|-------------|
| 1mm | 220*35*32 | 0.15 |

Long Arm Cutter

- ★ Safety cutter for films and backing papers
- ★ Lightweight aluminum handle and durable blade
- ★ Ergonomic design , easy to use



| Max Cutting Thickness | Packing Dimension (mm) | Weight (kg) |
|-----------------------|------------------------|-------------|
| 1mm | 650*35*32 | 0.25 |